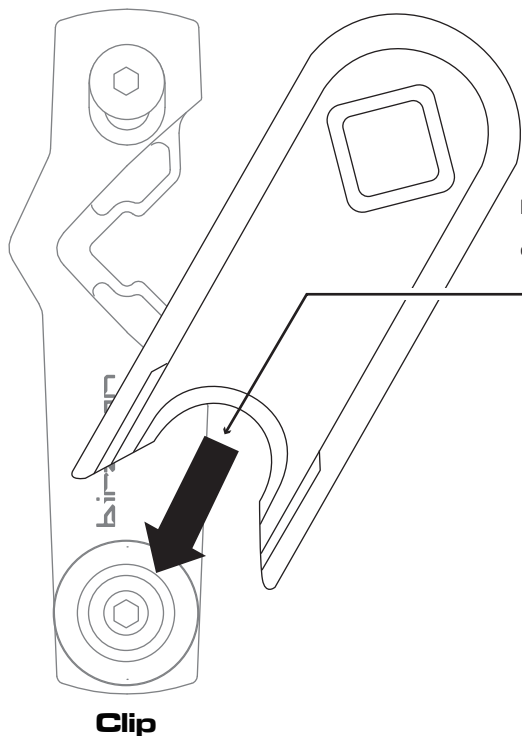
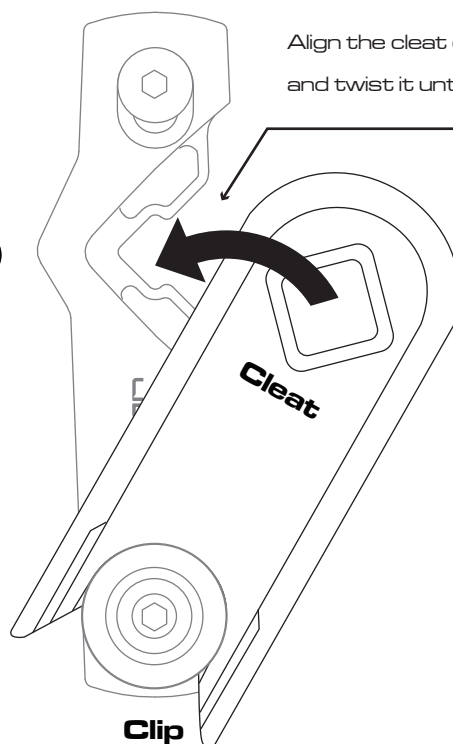


1



Position the concave part of the bottle onto the knob of the clip.

2



Align the cleat on the bottle with the clip brackets, and twist it until clipped-in.



Caution :

Please read the instructions carefully.

Damages caused by improper use of the BottleCleat (e.g. entry from above or at wrong angles) will not be covered by warranty.