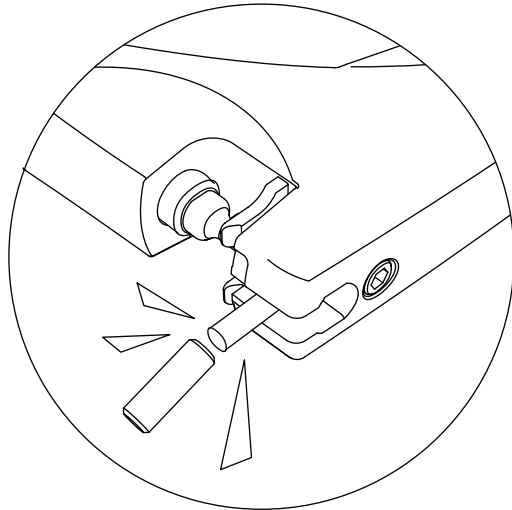


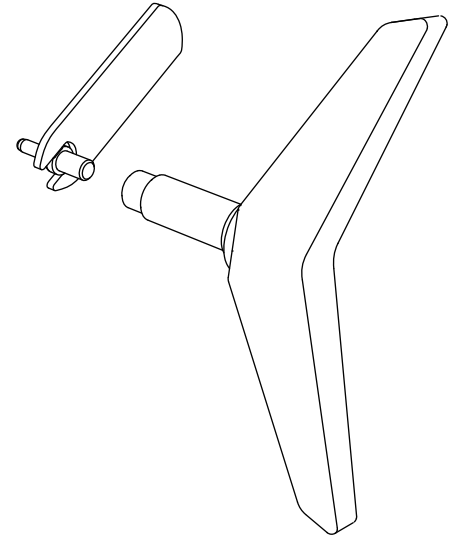
- Compatible with 3/32" and 1/8" single speed chain and 8/9/10/11 speed chains.

**Instructions of Use :**

- Use the recess to break unused part of the pin.



- Rivet pin is replaceable.



**Note :**

- For the proper maintenance of your tools, please apply a rust preventive oil regularly.
- All tools should be stored in a dry environment.