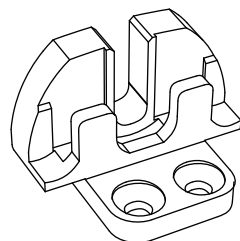
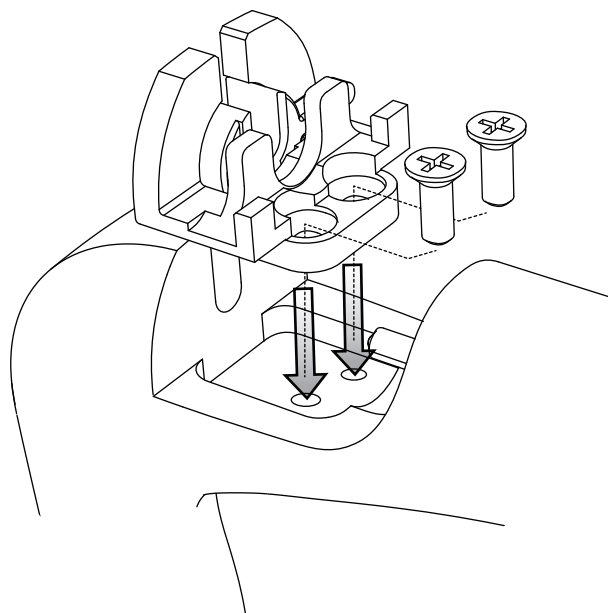
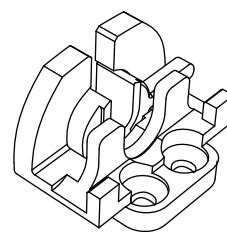


- Compatible with 9/10/11 speed chains (including Campagnolo 11 speed chains).



9/10 speed

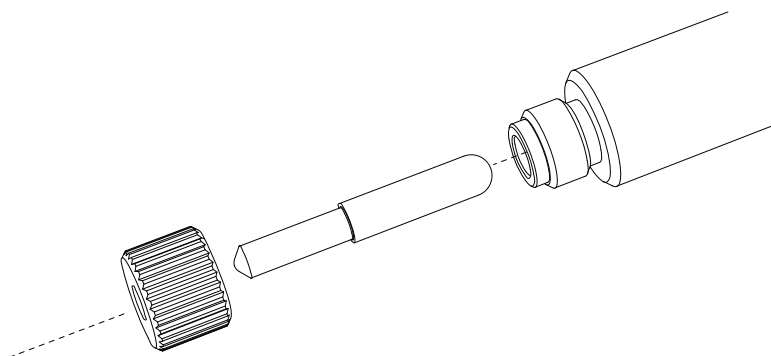
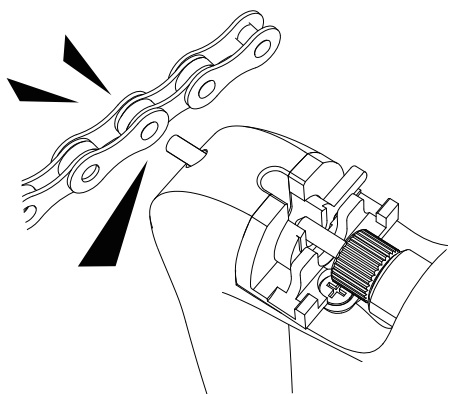


11 speed

Instructions of Use :

- Use the recess to break unused part of the pin.

- Rivet; pin is replaceable.



- For Campagnolo® 11 speed chains :

1. Insert the chain pin into the chain links.
2. Remove the chain and flip the peening gate over to close off the space behind the gate.

3. Insert the chain and complete the peening process accordingly.

