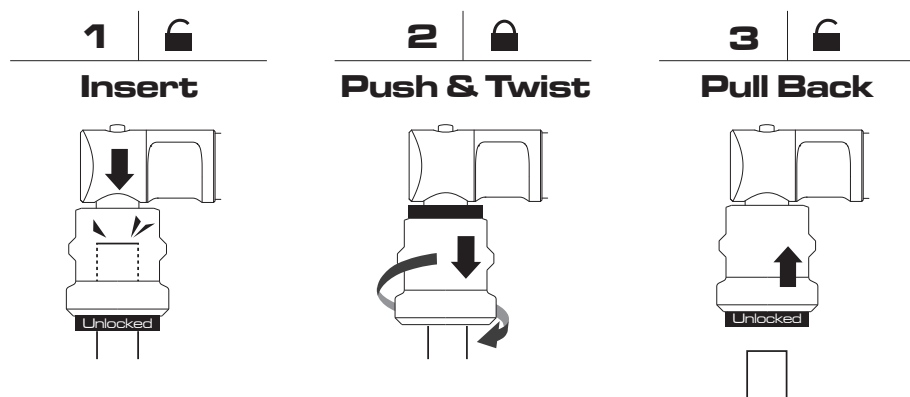


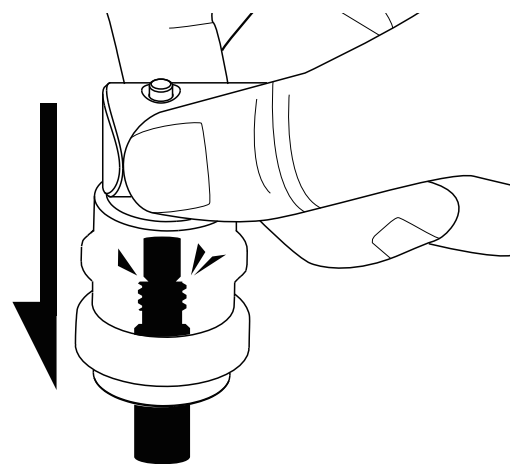
- Insert, PUSH the collar down and TWIST it by one turn to secure engagement.
- Simply pull back the collar to disengage.



How to

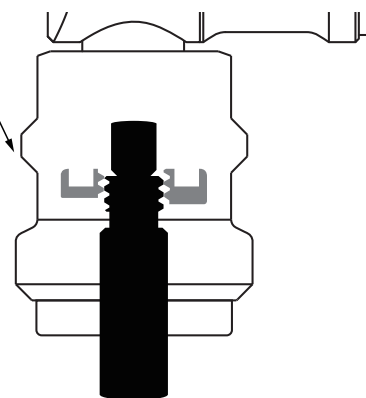


Presta / Schrader

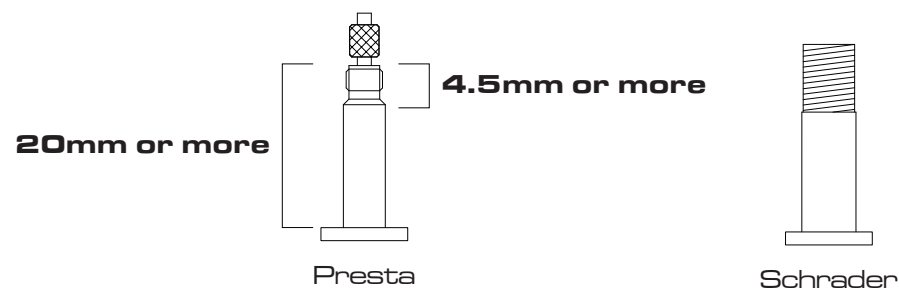


**Caution:**

- If the engagement is not secure enough, simply twist the collar by a further turn.
- Please ensure the valve head is parallel with the valve and pressed all the way down when inserted.
- If the collar cannot be pushed down properly : please **pull it back and twist it** counterclockwise before further attempts.
- Please do not attempt to lubricate.



**Push & Twist is compatible with :**



**Patented Technology**

United Kingdom	Germany	United States	Taiwan	China
2497163	102014106141	US 9511636 B2 US 9249914 B2	1498479 1489047	1682615 2235061