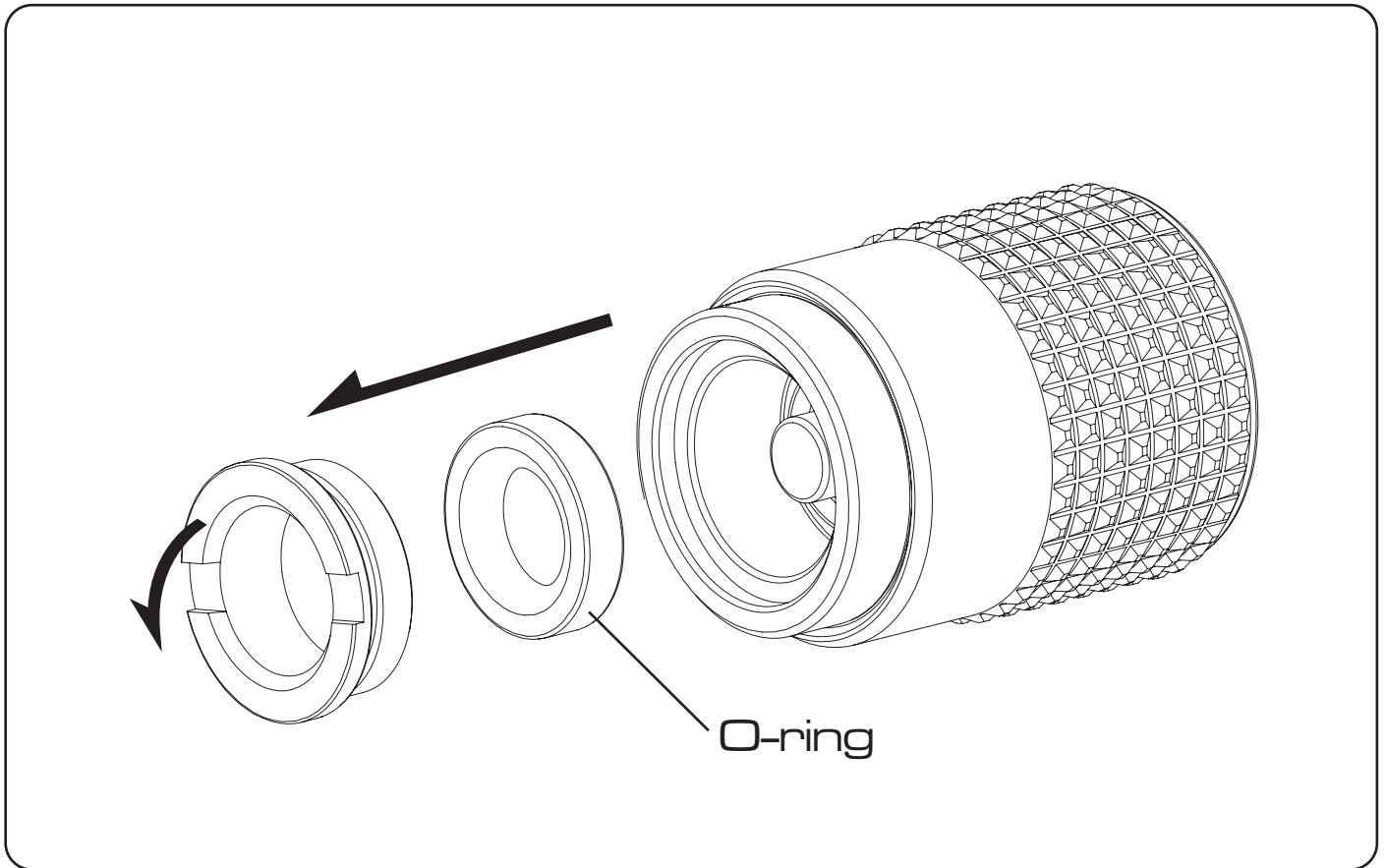


Spare O-rings



O-ring

O-ring should be installed with grooved side facing inwards.